



PAR3001: PAR30 LED GLOBE



Globes - LED Globes

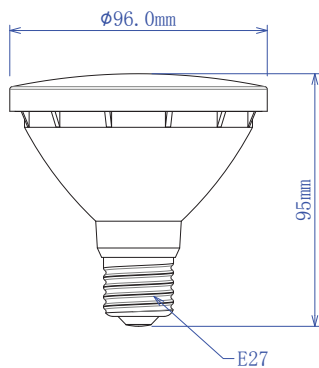


Product Features:

- Input voltage range: 185-265V AC 50/60Hz
- Constant current driver inbuilt
- Housing: PBT, aluminium & PC
- Heat sink: PBT & aluminium
- LED chips: 10pcs SMD2835
- Power factor: ≥ 0.5
- Ambient temp: -10 to 40°C
- Not suitable for dimming
- Suitable for 2-way switching
- Suitable for use with PIR sensor

E27	20,000hr Lifetime	40° Beam Angle	IP44 Rated	2YEAR Replacement Warranty
-----	-------------------	----------------	----------------------	-----------------------------------------

Suitable for CLA SEC series security lights



PART NO.	DESCRIPTION	BASE	KELVIN	LUMENS	WATT	CRI	WEIGHT	BOX	CARTON QTY
PAR3001	GLOBE LED ES PAR30 (Black P/C)	E27	5000K	800lm	10W	80	0.15kg	10.2X10.2X10.5cm	1/50