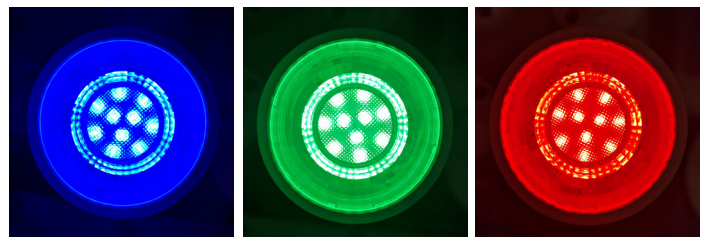
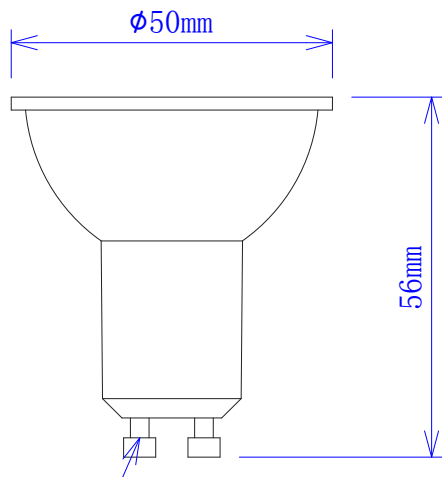


GU10 LED COLOURED GLOBES



Product Features:

- Input voltage: 220-240V AC
- Inbuilt constant current LED driver
- Driver output voltage: 45V
- Driver input current: 0.041A
- Driver output current: 0.095A
- Housing & diffuser: aluminium alloy & PC
- Wattage: 5W (=30W incandescent)
- Power factor: 0.5
- 10pcs SMD2835 LED chips
- GU10 lamp holder
- Ambient Temp: -10 to 40°C (The life of the lamp will gradually reduce if used outside these temperature parameters.)
- Suitable for 2-way switching
- Suitable for use with PIR sensor



GU10B01

GU10G01

GU10R01

Part No.	Description	Kelvin (K)	Lumens (LM)	Watt (W)	CRI	Weight (kg)	Box (cm)	Carton QTY
GU10B01	GLOBE LED AC (White) GU10 5W BLUE	BLUE	65	5=30	N/A	0.05	6x5x5	200
GU10G01	GLOBE LED AC (White) GU10 5W GREEN	GREEN	50	5=30	N/A	0.05	6x5x5	200
GU10R01	GLOBE LED AC (White) GU10 5W RED	RED	50	5=30	N/A	0.05	6x5x5	200

UPDATED ON 05.09.2018