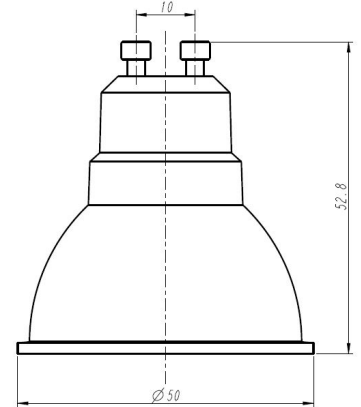


GU10 LED LAMPS



PRODUCT FEATURE

- Material: ALU - Plastic
- Input voltage: 240V AC 50Hz
- Wattage: 6W
- 9pcs 2835 San'an LED chips
- Life time: 20000hrs
- Beam angle: 120°
- Suitable for PIR and microwave sensors
- Suitable for 2 way switching
- Operating temperature: -15° to 40°C
- Not suitable for dimming
- 1year warranty and suitable for enclosed fittings



CRI 80	20,000 HRS	BEAM 120°	IP 20	1 YEAR WARRANTY
------------------	----------------------	---------------------	-----------------	---------------------------

TECHNICAL DATA

CODE	DESCRIPTION	KELVIN	LUMENS	CRI	BEAM	IP	LENGTH	DIAM	CARTON QTY
GU1001	6W GU10 LED WARM WHITE	3000K	470LM	>80	120°	40	52.8mm	50mm	1/40
GU1002	6W GU10 LED NATURAL WHITE	5000K	485LM	>80	120°	40	52.8mm	50mm	1/40

Updated on 19.09.2017

Tel: +64 9 427 6133 | **Fax:** +64 9 427 6134

Email: sales@clalighting.co.nz | **Website:** www.clalighting.co.nz

CLA LIGHTING NZ