

# ELLIP SERIES

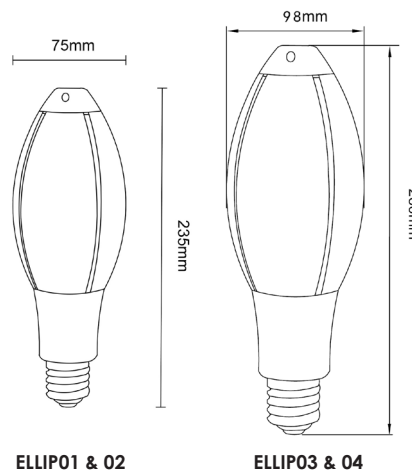
LED Elliptical Globes



Globes - LED

## Product Features:

- Input voltage: 180-240V AC 50/60Hz
- Inbuilt constant current driver included
- **No control gear should be in the circuit**
- Driver output voltage: 72V
- Housing: PC
- Heat sink: Die cast aluminium
- LED chips: S5 LED
- Power factor: >0.5
- CRI: 80
- Lamp holder E27 & E40
- Ambient temp: -20 to 50°C
- Not suitable for dimming
- Suitable for 2-way switching
- Suitable for use with PIR or Microwave sensors



25,000hr Lifetime	360° Beam Angle	<b>IP20</b> Rated	<b>2YEAR</b> Replacement Warranty
-------------------	-----------------	-------------------	-----------------------------------

Part No.	Lamp Holder	Kelvin	Lumens	Watt	CRI	LEDs	Weight	Box	Carton QTY
ELLIP01	E27	3000K	1700LM	25W	80	24PCS S5	0.5kg	7.5x7.5x24cm	1/20
ELLIP02	E27	5000K	2100LM	25W	80	24PCS S5	0.5kg	7.5x7.5x24cm	1/20
ELLIP03	E40	3000K	3200LM	45W	80	48PCS S5	0.9kg	10.5x10.5x31cm	1/10
ELLIP04	E40	5000K	3800LM	45W	80	48PCS S5	0.9kg	10.5x10.5x31cm	1/10

UPDATED ON 05.11.2018

Tel: +64 9 427 6133 | Fax: +64 9 427 6134

Email: sales@clalighting.co.nz | Website: www.clalighting.co.nz

**CLA LIGHTING NZ**