

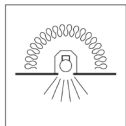
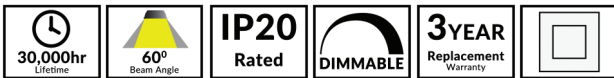


FIREFLY01

LED GIMBAL WHITE RECESSED DOWNLIGHT DIMMABLE TRI-CCT



- Input voltage: 220-240V
- External Constant Current LED driver included
- Degree of tilt: 20°
- Housing & heatsink: plastic & aluminium
- Diffuser: clear PC
- Faceplate: plastic
- LED chip: 1pc COB
- Colour temperature changeable: 3000K/ 4000K/ 5700K
- Rear switch
- CRI: >80
- Power factor: >0.9
- Flex & plug: 0.6m
- Ambient temperature: -20 to 40°C
- Suitable for dimming
- Suitable for 2-way switching
- Suitable for use with PIR & Microwave sensors



FIREFLY01



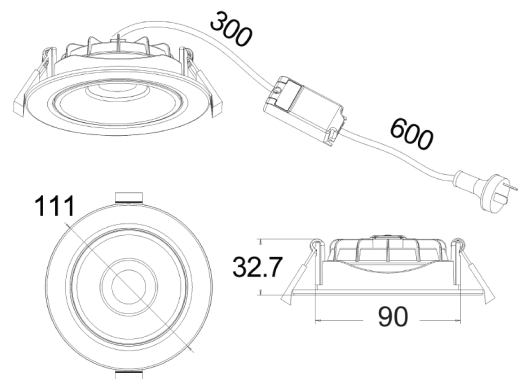
CENTRE TILT: 20°



REAR CCT SWITCH

Tested & recommended dimmers:

BRAND	PART NO.	PCS PER DIMMER
CLA	LYNX	1-10PCS
CLIPSAL	32E450TM, 32ELEDM	
HPM	CAT400T	
DIGINET	MEDM, MMDM/RT	



PART NO.	DESCRIPTION	LUMENS (LM)			WATT	CRI	PRODUCT DIMENSIONS (mm)	CUT OUT (mm)	BOX WEIGHT (kg)	BOX DIMENSIONS (cm)	CARTON QTY
		3000K	4000K	5700K							
FIREFLY01	D/L LED GIMBAL DIMM WH RND Tri	640	720	720	8W	>80	Ø111X32.7	Ø90	0.2kg	12x12x8	1/40