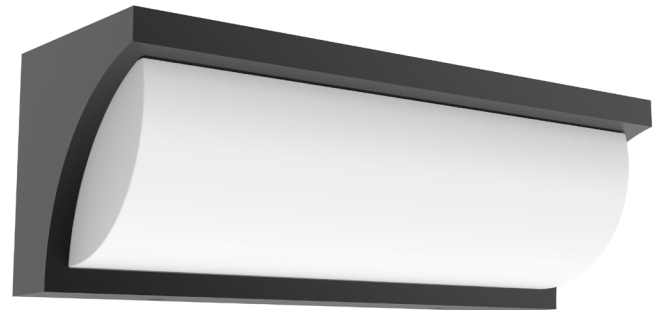




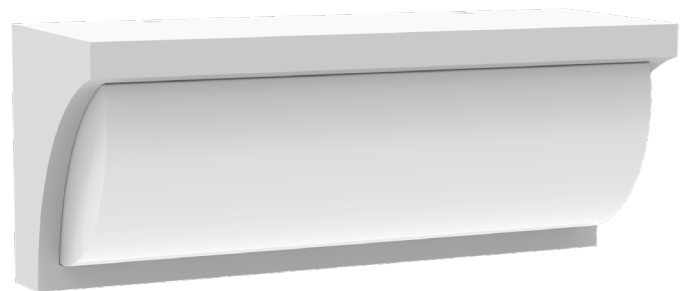
# REPISATRI

## Exterior LED TRI-CCT Surface Mounted Wall Light IP65

- Input voltage: 100-240V AC 50/60Hz
- Inbuilt Constant Current driver included
- Housing & heatsink: aluminium
- White diffuser: UV resistant PC
- Back plate: aluminium
- LED chips: 32pcs SMD2835
- Tri-CCT (3000K/ 4000K/ 6500K) in one fitting
- CCT switch inside the fitting
- Ambient temperature: -20 to 50°C
- Not suitable for dimming
- Suitable for 2 way switching
- Suitable for use with PIR sensor

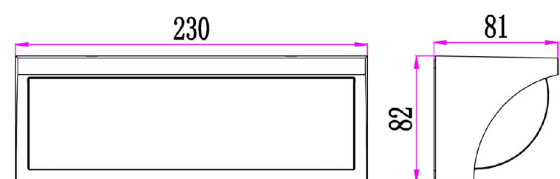


REPISATRI1  
(Dark grey)

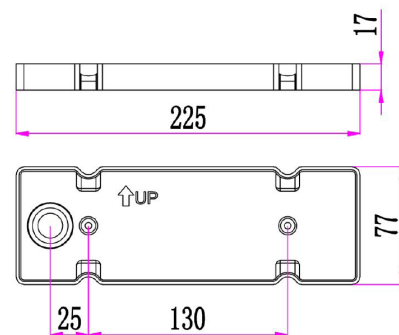


REPISATRI2  
(White)

Part No.	REPISATRI1 & REPISATRI2
Description	WALL LED S/M Dark Grey / WH Curved Wedge
Material	Aluminium & PC
Kelvin	3000K/ 4000K/ 6500K
Lumens	933LM/ 1040LM/ 1016LM
Wattage	13W
LED chips	32PCS SMD2835
Power factor	>0.8
CRI	>80
Dimensions	Please see line drawings
Back plate	225x77x17mm
Weight	0.9kg
Box	24x9x9cm
Carton QTY	1/8



Line drawing



Back plate line drawing

\*Must be installed by a licenced electrician (Installation instructions sheet provided in each product box)