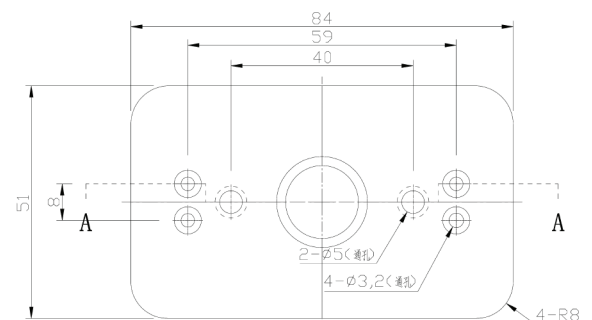
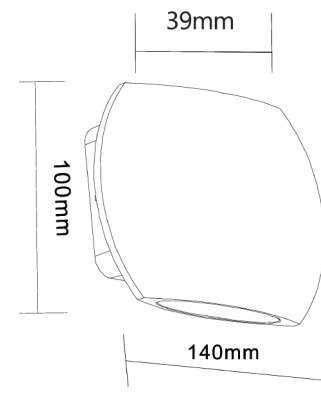
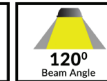




## REMO SERIES LED EXTERIOR WALL LIGHTS

- Input voltage: 220~240V AC 50/60Hz
- Output voltage: 13~24V DC
- Nominal current: 300mA
- Shade & bracket: aluminium
- Diffuser: PC
- Wattage: 6.8W
- Power factor:  $\geq 0.5$
- 18pcs SMD2835 LED chips
- CRI: 80
- Ambient temp: -20 to +50°C
- Not suitable for dimming
- Suitable for 2-way switching
- Suitable for use with PIR & Microwave sensors



Back plate dimensions

PART NO.	DESCRIPTION	KELVIN (K)	LUMENS (LM)	WATT (W)	CRI	WEIGHT (KG)	BOX (CM)	CARTON QTY
REMO1	WALL EXTERNAL Curved Up/Down S/M LED BLK	3000	500	6.8	80	0.51	16x12x6	24
REMO2	WALL EXTERNAL Curved Up/Down S/M LED SAND WH	3000	500	6.8	80	0.51	16x12x6	24