



# EXTERIOR LED BOLLARD LIGHTS



Exterior Lighting



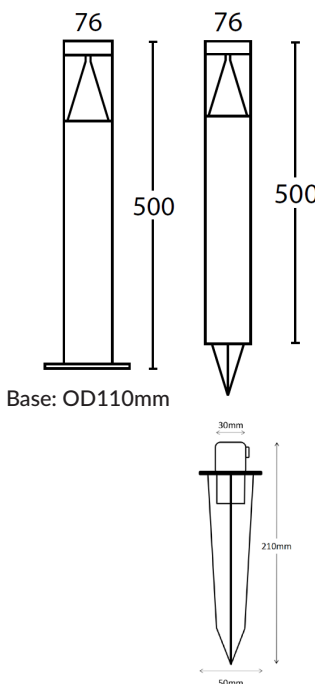
PORTUS1FLC



PORTUS1FSS

## PRODUCT FEATURES

- Input voltage: 12-14V AC/DC 50/60Hz
- Nominal current: 150mA
- Material: 316 stainless steel or solid copper
- PORTUS1SP spike material: brass
- LED chips: 12pcs 2835
- Cable length: 47mm
- Ambient temp: -40 to 85°C
- CRI: 75
- To maintain the IP rating please use circular cable in junction
- For parallel and single connection we recommend using an appropriate IP68 connector (CLA Connector: CONN001 & CONN002)



PORTUS1SPC



PORTUS1SPSS

Brass Spike

40,000hr  
Lifetime

120°  
Beam Angle

**IP67**  
Rated

**2YEAR**  
Replacement  
Warranty

### Tested & Recommended Drivers:

DRIV1 / OTTER1 / CLA111011 / CLA113011 / CLA115011 / CLA1115011

CODE	DESCRIPTION	TECHNICAL DATA				PACKAGING DETAILS		
		COLOUR	KELVIN	LUMENS	WATT	WEIGHT (KG)	BOX (CM)	CARTON QTY
PORTUS1FLC	BOLLARD LED 12V COP Anti Glare L500mm with Flange	Polishing copper	3000K	620LM	6	1.6	11x11x50	1/10
PORTUS1FLSS	BOLLARD LED 12V SS316 Anti Glare L500mm with Flange	Stainless steel clear anodized	3000K	620LM	6	1.4	11x11x50	1/10
PORTUS1SPC	SPIKE LED 12V COP Anti Glare	Polishing copper	3000K	620LM	6	1.9	11x11x50	1/10
PORTUS1SPSS	SPIKE LED 12V SS316 Anti Glare	Stainless steel clear anodized	3000K	620LM	6	1.7	11x11x50	1/10

\*These bollards are designed for mounting on a solid surface such as a concrete path or sturdy timber decking

\*To avoid disappointment and warranty problems, please ensure the IP rating of the chosen product is relevant for the intended use.

\*Must be installed by a licenced electrician (Installation instructions sheet provided in each product box)