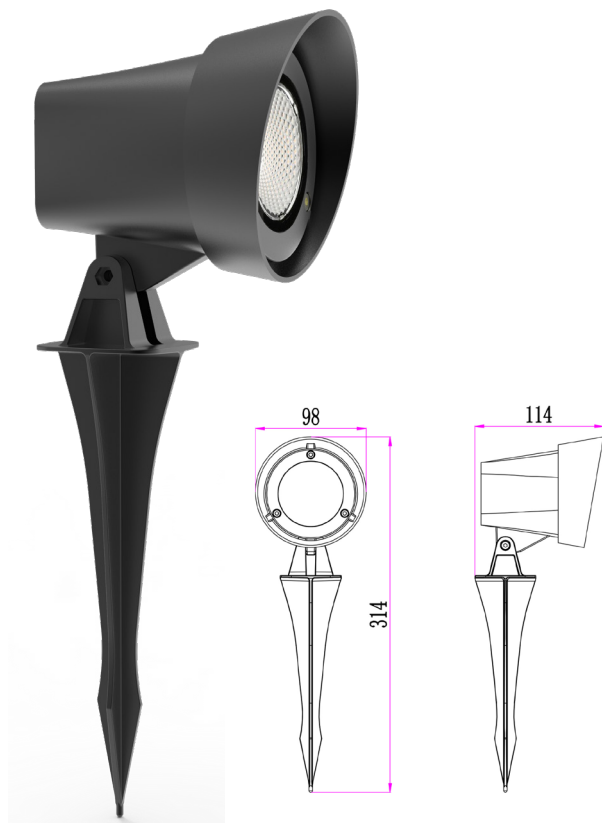




Exterior Lighting

KOLEC EXTERIOR LED GARDEN SPIKE LIGHT



- Input voltage: 12V
- Material: die cast aluminium
- Spike material: PC
- Diffuser: clear glass
- Adjustable up/down head : 10-80°
- LED chip: 1 COB
- Power factor: >0.5
- CRI: >80
- Flex only: 1m
- Ambient temp: -20 to 50°C
- Suitable for 2 way switching
- Suitable for use with Microwave or PIR sensors
- Constant voltage driver required.
- Recommended CLA 12V waterproof LED drivers
- To maintain the IP rating please use circular cable in junction
- For parallel and single connection we recommend using an appropriate IP68 connector (CLA Connector: CONN001 & CONN002).



PART NO.	DESCRIPTION	COLOUR	WATT	KELVIN	LUMENS	BEAM ANGLE	WEIGHT	BOX	CARTON QTY
KOLEC1	SPIKE/HOOD LED (Dark Grey) Adj OD98mm L314mm 12V	Dark Grey	13W	3000K	930LM	14.7°	0.65KG	12x11x33cm	1/12

*To avoid disappointment and warranty problems, please ensure the IP rating of the chosen product is relevant for the intended use.

*Must be installed by a licenced electrician (Installation instructions sheet provided in each product box)