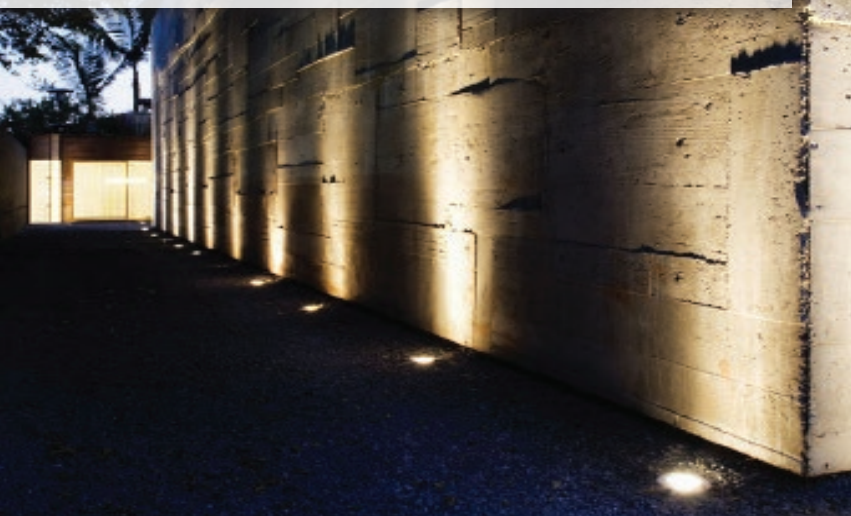


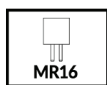


EXTERIOR INGROUND UP LIGHTS



PRODUCT FEATURES

- Input voltage range: 12-25V DC / AC
- External Control Gear Required
- Faceplate: 316 Stainless steel/ solid copper/ solid brass
- Housing: aluminium
- Lamp holder: MR16 (Max.20W halogen globe)
- Globe not included
- Plastic sleeve included (must be installed)
- Fitting slides and screws into sleeve
- Cable included (L950mm)
- 8mm tempered glass, max load capacity 600kg



Exterior Lighting



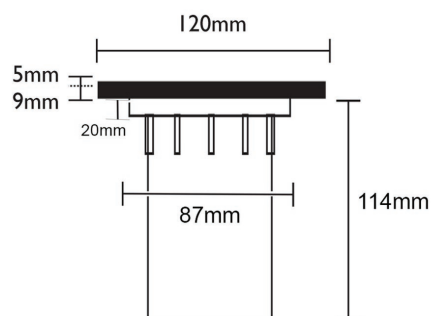
IGMLBR



IGMLC



IGMLSS



IGMLSQBR



IGMLSQC



IGMLSQSS

CODE	DESCRIPTION	PACKAGING DETAILS			
		COLOUR	WEIGHT (KG)	BOX (CM)	CARTON QTY
IGMLBR	INGROUND UPLIGHTER / OPEN WALL MR16 12V Brass LGE RND	Aged Brass	0.7	13.5 x 13 x 13	1/20
IGMLC	INGROUND UPLIGHTER / OPEN WALL MR16 12V COP LGE	Polished copper	0.7	13.5 x 13 x 13	1/20
IGMLSS	INGROUND UPLIGHTER / OPEN WALL MR16 12V SS316 LGE RND	316 Stainless steel clear anodized	0.7	13.5 x 13 x 13	1/20
IGMLSQBR	INGROUND UPLIGHTER / OPEN WALL MR16 12V BRASS SQ LGE	Aged Brass	0.7	13.5 x 13 x 13	1/20
IGMLSQC	INGROUND UPLIGHTER / OPEN WALL MR16 12V COP LGE SQ	Polished copper	0.8	13.5 x 13 x 13	1/20
IGMLSQSS	INGROUND UPLIGHTER / OPEN WALL MR16 12V SS316 LGE SQ	316 Stainless steel clear anodized	0.8	13.5 x 13 x 13	1/20