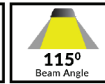


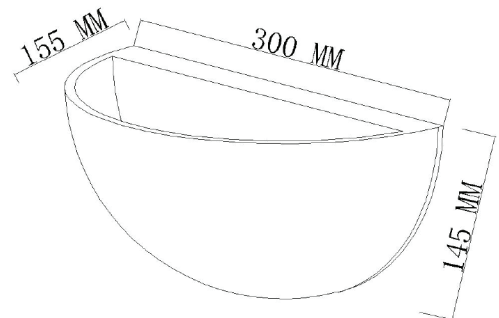


## GOMO LED Exterior Wall Light

- Input voltage: 220-240V AC 50/60Hz
- Inbuilt driver output: 22V DC Max
- Inbuilt driver input current: 0.11A
- Inbuilt driver output current: 500mA
- Shade: concrete
- Backplate: die cast aluminium SS clips
- Wattage: 5W
- Power factor:  $\geq 0.35$
- 1pc COB Cree LED chip
- Not suitable for dimming
- Suitable for 2-way switching
- Suitable for use with PIR or Microwave sensors



BACK PLATE



PART NO.	DESCRIPTION	KELVIN (K)	LUMEN (LM)	WATT	CRI	WIDTH (mm)	LENGTH (mm)	DEPTH (mm)	WEIGHT (KG)	BOX (CM)	CARTON QTY
GOMO	WALL LED 240V S/M Cement Grey concrete Semicircle	3000	500	5	80	300	145	155	3.0	37x23x22	6

UPDATED ON 26.02.2018