



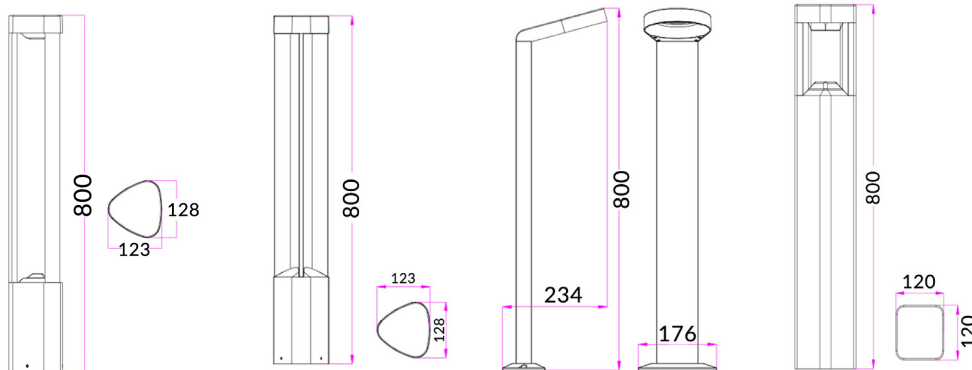
BOL

Exterior LED surface mounted bollard lights IP54



PRODUCT FEATURES:

- Input voltage range: 100-240V AC 50/60Hz
- Inbuilt driver output voltage range: 13.5-22V
- Housing: aluminium
- Heatsink & mounting bracket: aluminium
- Power factor: >0.5
- CRI: >80
- Ambient Temp: -20 to 50°C
- Not for use inground
- Not suitable for dimming
- Suitable for 2-way switching
- To maintain the IP rating please use circular cable in junction
- For parallel and single connection we recommend using an appropriate IP68 connector (CLA Connector: CONN001 & CONN002)



PART NO.	DESCRIPTION	KELVIN (K)	LUMENS (LM)	WATT (W)	BEAM ANGLE	CRI	HEIGHT (mm)	WEIGHT (kg)	BOX (cm)	CARTON QTY
BOL1A	BOLLARD LED GREY 3 SECTIONS	3000	216	7	197°	>80	800	2.2	82x14x14	1/4
BOL2A	BOLLARD LED GREY TRIANGULAR	3000	120	7	106°	>80	800	2.6	83x30x29	1/4
BOL3A	BOLLARD LED GREY HOOP	3000	211	7	119°	>80	800	2.5	81x25x19	1/4
BOL4A	BOLLARD LED GREY SQ	3000	193	7	343°	>80	800	2.95	82x15x14	1/4

*These bollards are designed for mounting on a solid surface such as a concrete path or sturdy timber decking

*To avoid disappointment and warranty problems, please ensure the IP rating of the chosen product is relevant for the intended use.

*Must be installed by a licenced electrician (Installation instructions sheet provided in each product box)