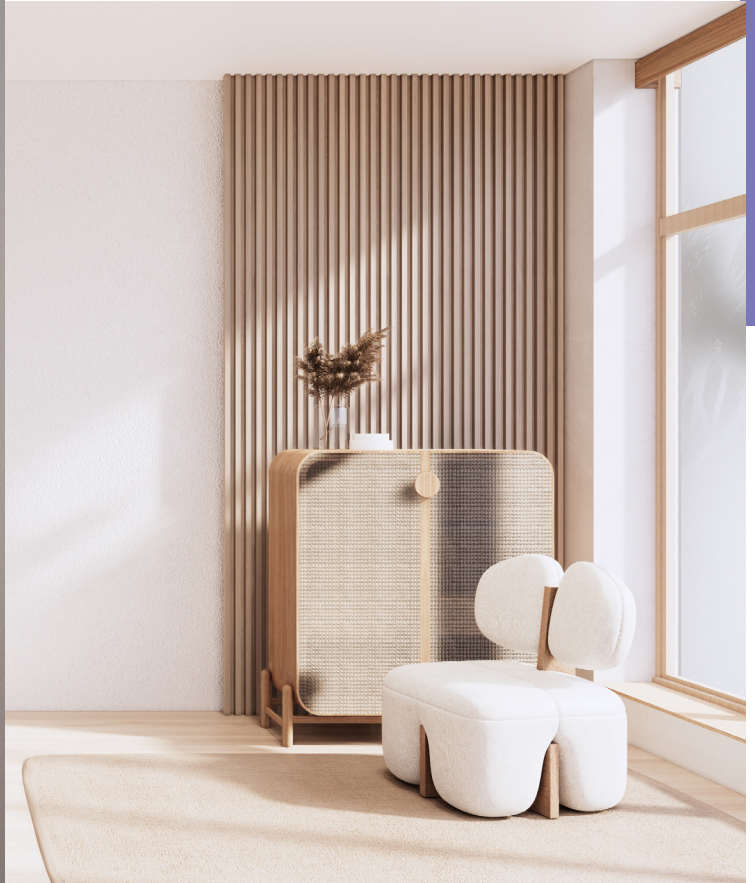


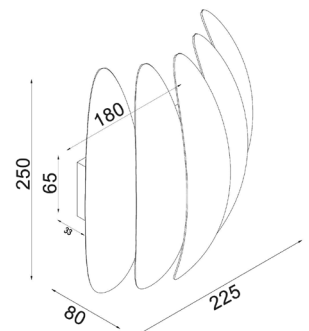


TIJUANA

LED Tri-CCT Interior Curved Dimmable Wall Light



- Input voltage: 220-240V 50Hz
- Housing: Powder coated metal
- LED chips: 40pcs SMD2835
- Tri-CCT (3000K/ 4000K/ 5700K) in one fitting
- Switch under the back plate
- Power Factor: 0.9
- CRI: 80
- Ambient temperature: -20 to 50°C
- Suitable for dimming
- Suitable for 2 way switching
- Suitable for use with sensor



30,000hr Lifetime	120° Beam Angle	IP20 Rated	2YEAR Replacement Warranty
----------------------	--------------------	----------------------	-----------------------------------------

Part No.	Description	Lumens			Watt	PF	Dimensions	Box Weight	Box Size	Carton Qty
		3000K	4000K	5700K						
TIJUANA	Wall Internal S/M City LED Dimm WH Curved Tri CCT	551LM	615LM	597LM	17W	0.9	L250x-W225xH68mm	1.0kg	27.5x23.5x8cm	1/10

*Must be installed by a licenced electrician (Installation instructions sheet provided in each product box)