



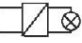

# Specification



Product Type: Trailing Edge Rotary Dimmer

Model No.: LYNX1

## ● Technical Parameter

<b>Model No.</b>	LYNX1	
<b>Product Standard</b>	IEC 60669-2-1	
<b>Operating Voltage</b>	220-240V~	
<b>Operating Frequency</b>	50Hz	
<b>Max. Current</b>	1.25A	
<b>Rated Power</b>	300W	
<b>Load Range</b>	Incandescent lamp 	15W-300W
	LED lamp	3W-200W
	Halogen lamp 	15W-300W
	Low voltage halogen lamp with electronic transformer 	3W-200W
	CFL -- fewer than 5pcs 	3W-200W
	Electric resistive heat	15W-300W
<b>Power Supply</b>	Live wire	
<b>Operating Environment</b>	In-Wall	
<b>Operating Environment</b>	Temperature: 0℃ - 35℃	
	Humidity: 10% R.H. - 90% R.H.	
<b>Size</b>	23.7 mm×23.7 mm×60mm (L×W×H)	
<b>Application</b>	Indoor	
<b>Product Configuration</b>	<ol style="list-style-type: none"> <li>1. This product can adjust the brightness of the lamp through the rotary.</li> <li>2. This product has over temperature, over current and short circuit protection functions.</li> </ol>	
<b>Product Application</b>	<ol style="list-style-type: none"> <li>1. Can directly replace the existing wall switch to adjust dimmable LED lamp, halogen lamp and dimmable CFL.</li> <li>2. Suitable for public places such as family bedroom. apartment, hotel, and hospital and so on.</li> </ol>	

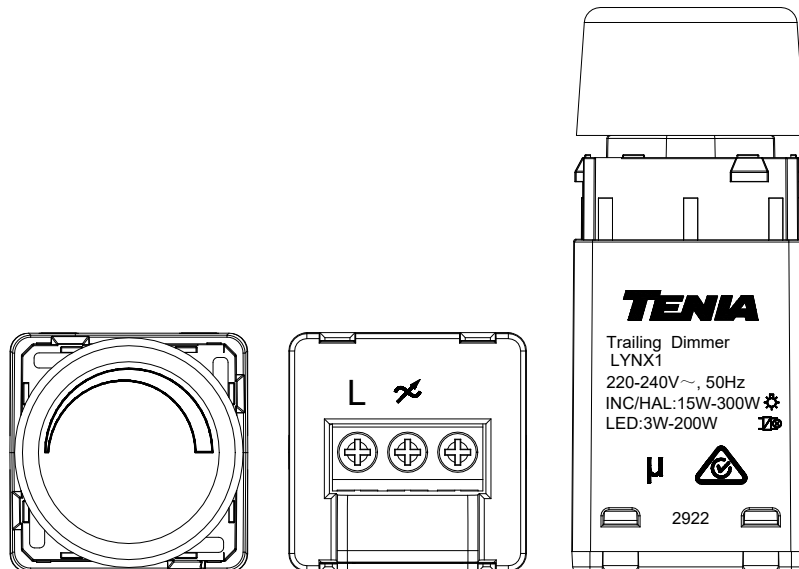
## ● Function Table

Function	Dimmer operation	External switch operation
Dimming	√	√

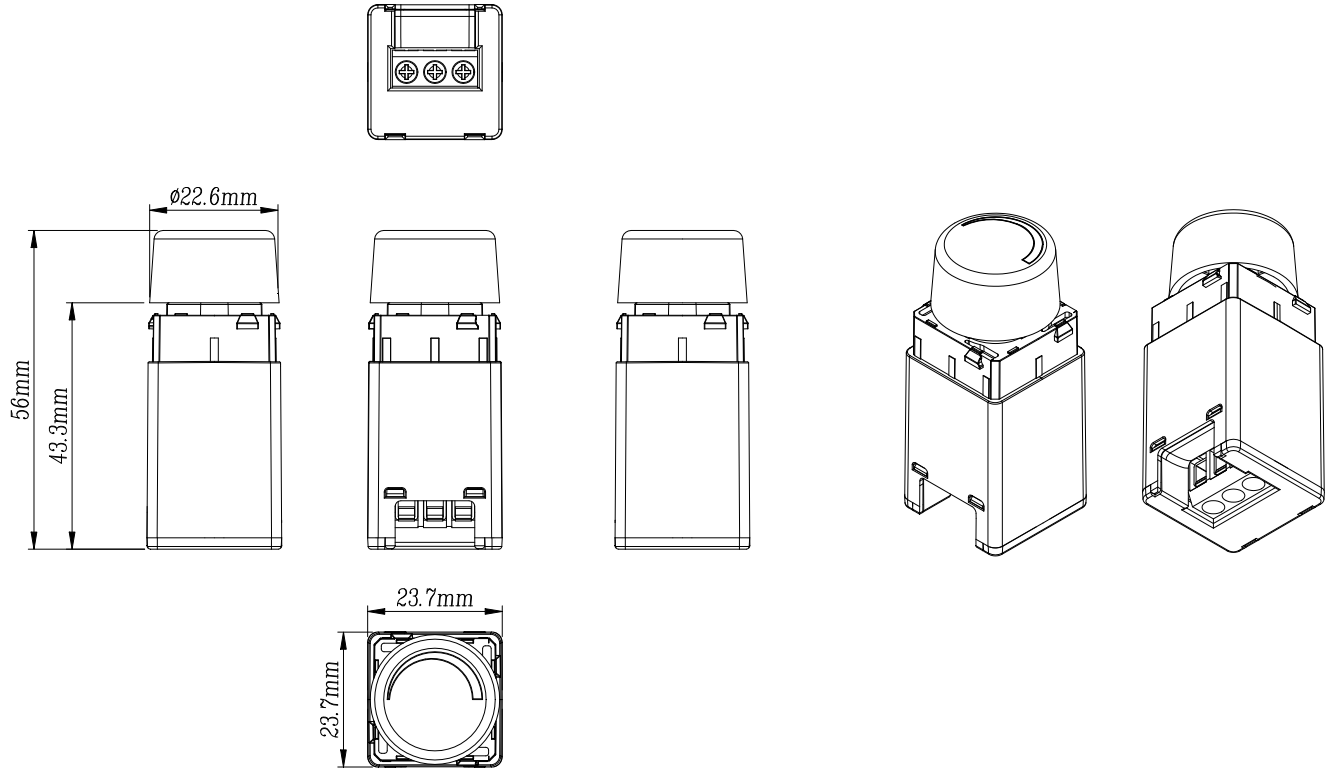
## ● Product Standard Requirements

<b>Standard</b>	Safety	IEC 60669-2-1, EN 60669-2-1
	EMC	EN 55012:2013+A1:2015
		EN 61000-3-2:2014
		EN 61000-3-3:2013
<b>Certificate</b>	SAA	Comply with SAA certification
<b>RoHS</b>	RoHS Compliance required	

## ● Label



## ● Outline Dimensional Drawing



## ● Typical Wiring Application

### ● One-Way

