



T30 LED DIMMABLE FILAMENT GLOBES

- Input voltage: 220-240V
- Material: amber glass & aluminium
- LED chips: 4x24pcs 5131JC
- Power factor: >0.7
- CRI: >80
- Ambient temperature: -20 to 50°
- Suitable for use with dimmers
- Suitable for 2-way switching
- Suitable for use with sensors

 25,000hr Lifetime	 360° Beam Angle	IP20 Rated	 DIMMABLE	2YEAR Replacement Warranty
---	--	----------------------	--	---

Tested & Recommended Dimmers:

BRAND	PART NO.
DIGINET	MEDM
CLA	VELA
CLIPSAL	32ELEDM, 32E450TM, 31E2RUDM, 32E450UDM
LEGRAND	CAT AR400A3PM

*Please check with Licenced electrician for Min and Max dimmer load

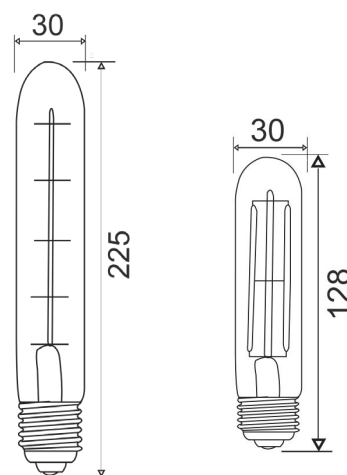
*May be compatible with other untested dimmers



CF46DIM



CF47DIM



Part No.	Description	Kelvin	Lumens	Wattage	Dimensions	Box Weight	Box Dimensions	Carton QTY
CF46DIM	GLOBE LED DIMM T30 filament	2700K	500LM	5W	Ø30x225mm	0.07kg	4x4x23cm	1/25/100
CF47DIM	GLOBE LED DIMM T30 filament	2700K	400LM	4W	Ø30x128mm	0.05kg	4x4x14cm	1/25/100